

1) Draw an arrow to estimate these numbers on the number lines.



a) 0.5



b) 0.25



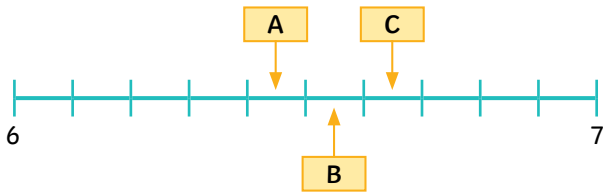
c) 3.5



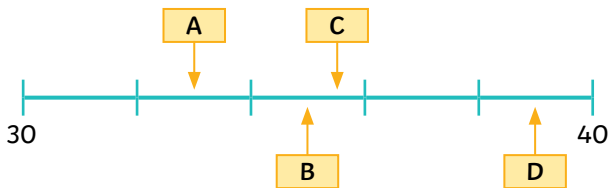
d) 1.5



2) Which letter is the best estimate for 6.55 on this number line? Explain your reasoning.



3) Estimate the values.



1) Draw an arrow to estimate these numbers on the number lines.



a) 0.5



b) 0.25



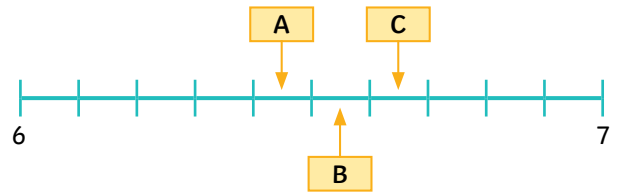
c) 3.5



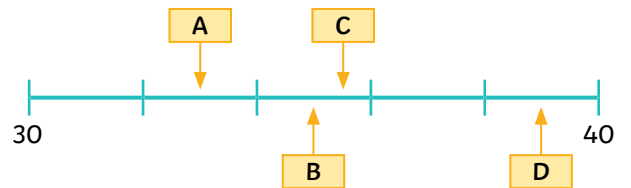
d) 1.5



2) Which letter is the best estimate for 6.55 on this number line? Explain your reasoning.



3) Estimate the values.



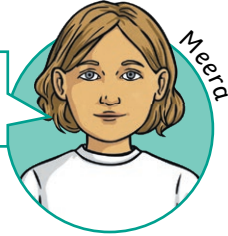
- 1) Meera has drawn a number line and marked the starting value.



Each interval represents 0.25.



I estimate the arrow to be showing 2.00.

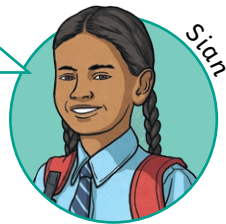


Do you agree with Meera? Explain your reasoning.

- 2) Jude and Sian are estimating the value indicated on the number line.



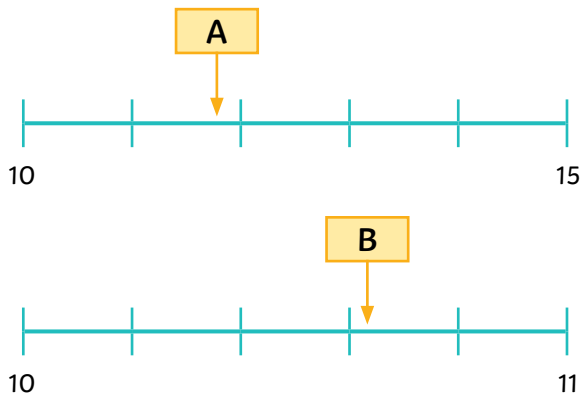
I estimate the value to be more than 10.5.



I estimate the value to be less than 11.

Who is correct? Explain your reasoning.

- 3) Using the number lines, calculate the total value of $A + B$. Explain your reasoning.



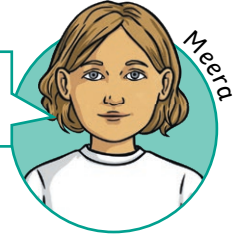
- 1) Meera has drawn a number line and marked the starting value.



Each interval represents 0.25.



I estimate the arrow to be showing 2.00.

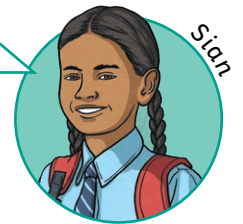


Do you agree with Meera? Explain your reasoning.

- 2) Jude and Sian are estimating the value indicated on the number line.



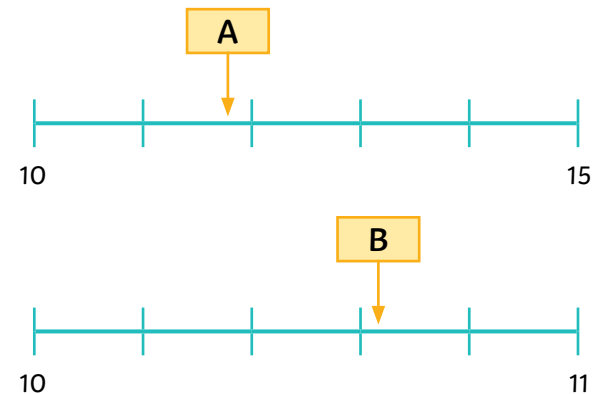
I estimate the value to be more than 10.5.



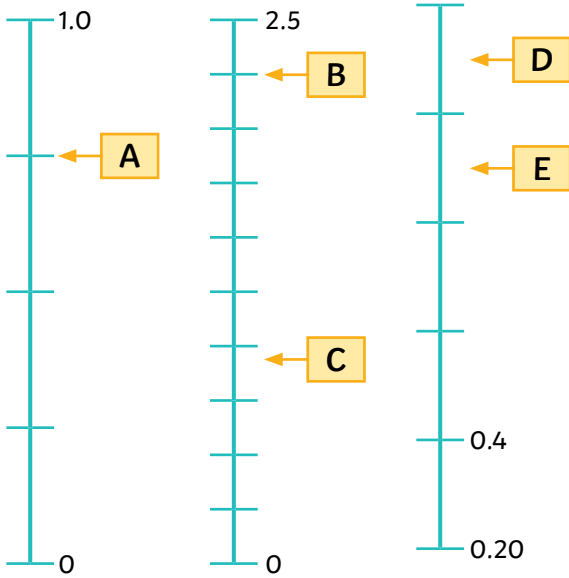
I estimate the value to be less than 11.

Who is correct? Explain your reasoning.

- 3) Using the number lines, calculate the total value of $A + B$. Explain your reasoning.



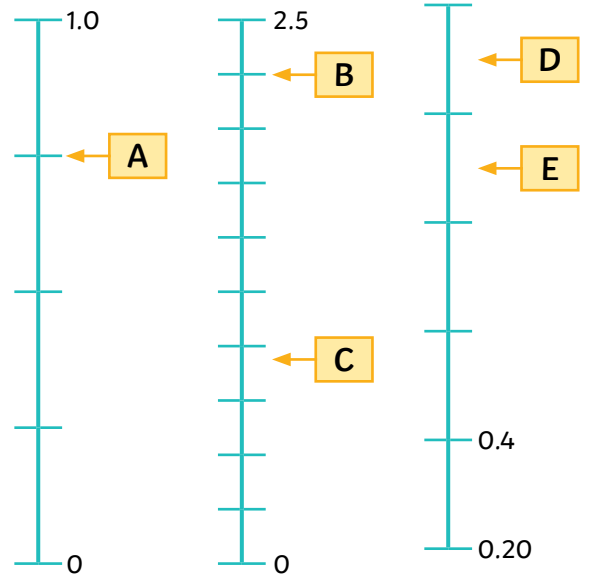
1) a) Match the clues to the letters shown on the vertical number lines.



Clue	Letter
Is the same value as C.	
Has a 9 in the tenths column and a digit total of 9.	
Has a digit total of 2, with one tenth in the tenths column.	
Has a digit total of 9.	
Equivalent to $\frac{3}{4}$.	

b) Create 3 clues for your partner that could be estimated on the number lines.

1) a) Match the clues to the letters shown on the vertical number lines.



Clue	Letter
Is the same value as C.	
Has a 9 in the tenths column and a digit total of 9.	
Has a digit total of 2, with one tenth in the tenths column.	
Has a digit total of 9.	
Equivalent to $\frac{3}{4}$.	

b) Create 3 clues for your partner that could be estimated on the number lines.